



# ECRN-50 LOW-RESOLUTION RAIN GAUGE INSTALLATION INSTRUCTIONS

18302-02  
3.13.2020

## METER

### Preparation

Inspect and verify that ECRN-50 components are intact. Installation will require a mounting pole and mounting supplies (e.g., zip ties, wire). Many installations require weather stations to be mounted 2 m above ground, but this can be adjusted as needed.

Set up and test the system (sensors and data loggers) in a lab or office. Ensure the data loggers are using up-to-date firmware and software. Check the following locations for firmware and software updates:

ZL6 [metergroup.com/zt6-support](http://metergroup.com/zt6-support)  
Other [metergroup.com/environment/articles/buy-browse-meter-legacy-data-loggers](http://metergroup.com/environment/articles/buy-browse-meter-legacy-data-loggers)

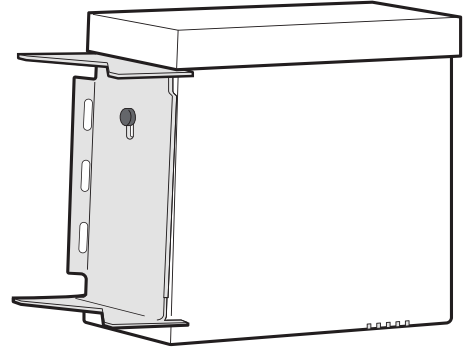
Read the ECRN-50 specifications at [metergroup.com/ecrn-50](http://metergroup.com/ecrn-50).

Resolution	Volume Per Tip	Rainfall Per Tip
1 tip	5.0 mL/tip	1 mm

All products have a 30-day satisfaction guarantee.

### Installation

Mount the ECRN-50 so the metal back is vertical against a mounting pole at the desired height and ensure the rain gauge is level. Plug the sensor cable into the data logger. Use data logger software to apply appropriate settings to the sensors plugged into each data logger port. Gather and secure the cables to the mounting pole in one or more places to relieve strain on the connections.



**METER Group, Inc. USA**  
2365 NE Hopkins Court, Pullman, WA 99163  
T +1.509.332.2756 F +1.509.332.5158  
E [info@metergroup.com](mailto:info@metergroup.com) W [metergroup.com](http://metergroup.com)

**NORTH AMERICA**  
E [support.environment@metergroup.com](mailto:support.environment@metergroup.com)  
T +1.509.332.5600

**EUROPE**  
E [support.europe@metergroup.com](mailto:support.europe@metergroup.com)  
T +49 89 12 66 52 0



# ECRN-50 LOW-RESOLUTION RAIN GAUGE INSTALLATION INSTRUCTIONS

18302-02  
3.13.2020

## METER

### Preparation

Inspect and verify that ECRN-50 components are intact. Installation will require a mounting pole and mounting supplies (e.g., zip ties, wire). Many installations require weather stations to be mounted 2 m above ground, but this can be adjusted as needed.

Set up and test the system (sensors and data loggers) in a lab or office. Ensure the data loggers are using up-to-date firmware and software. Check the following locations for firmware and software updates:

ZL6 [metergroup.com/zt6-support](http://metergroup.com/zt6-support)  
Other [metergroup.com/environment/articles/buy-browse-meter-legacy-data-loggers/](http://metergroup.com/environment/articles/buy-browse-meter-legacy-data-loggers/)

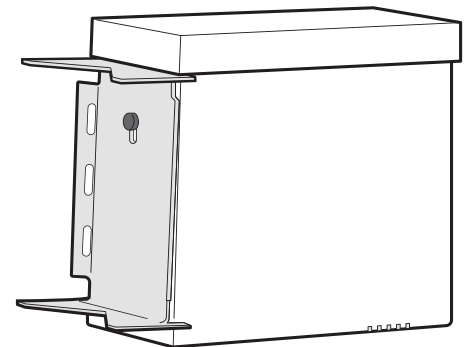
Read the ECRN-50 specifications at [metergroup.com/ecrn-50](http://metergroup.com/ecrn-50).

Resolution	Volume Per Tip	Rainfall Per Tip
1 tip	5.0 mL/tip	1 mm

All products have a 30-day satisfaction guarantee.

### Installation

Mount the ECRN-50 so the metal back is vertical against a mounting pole at the desired height and ensure the rain gauge is level. Plug the sensor cable into the data logger. Use data logger software to apply appropriate settings to the sensors plugged into each data logger port. Gather and secure the cables to the mounting pole in one or more places to relieve strain on the connections.



**METER Group, Inc. USA**  
2365 NE Hopkins Court, Pullman, WA 99163  
T +1.509.332.2756 F +1.509.332.5158  
E [info@metergroup.com](mailto:info@metergroup.com) W [metergroup.com](http://metergroup.com)

**NORTH AMERICA**  
E [support.environment@metergroup.com](mailto:support.environment@metergroup.com)  
T +1.509.332.5600

**EUROPE**  
E [support.europe@metergroup.com](mailto:support.europe@metergroup.com)  
T +49 89 12 66 52 0